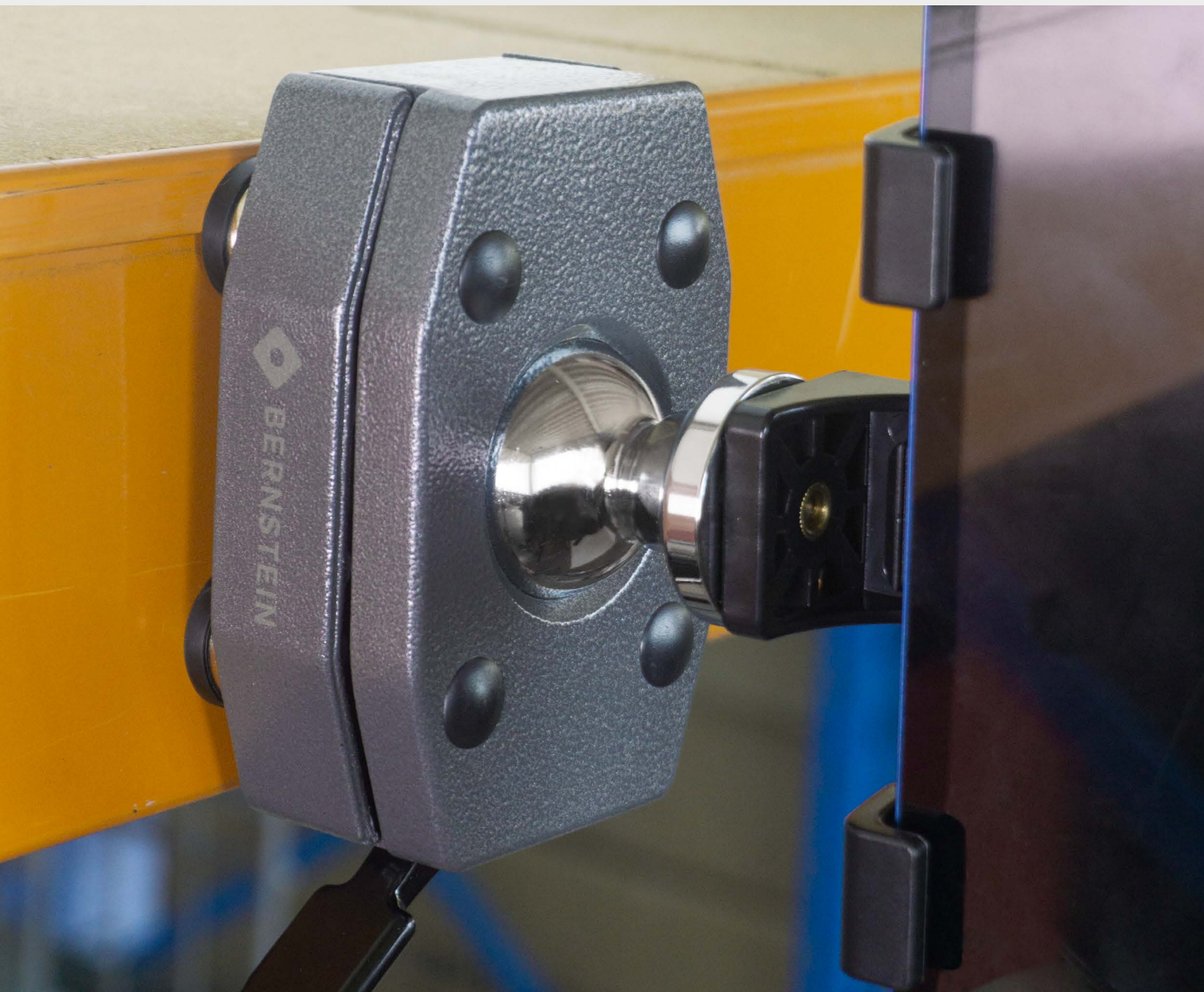


PRO HOLDER

Strong holding power in any position:
the new rotatable ball joint holder
with external or internal thread attachment

V.1

ENGINEERED AND MANUFACTURED
BY BERNSTEIN IN GERMANY



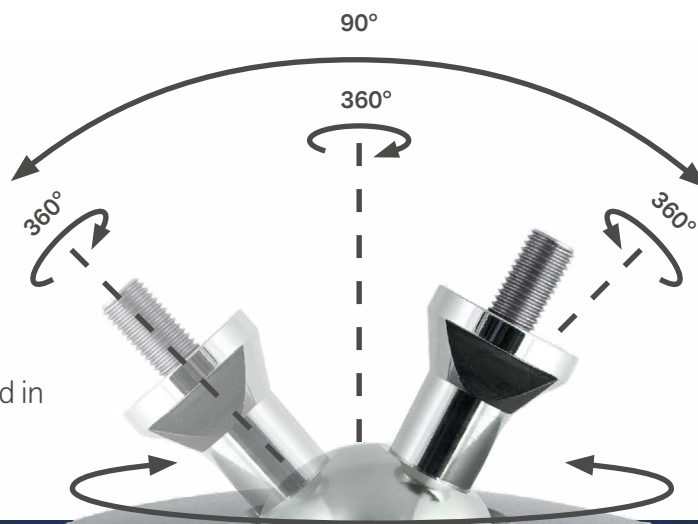
PRO HOLDER

Holds in any position,
Loadable up to 140 kg

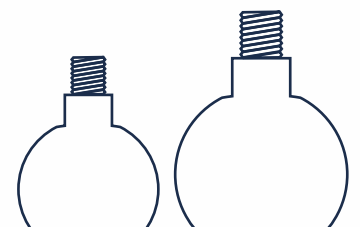
Ball joint for
positioning in any
any direction

From the ball axis:
 $\pm 45^\circ$ tiltable
360° rotatable

Made in Germany
Developed and produced in
Remscheid.



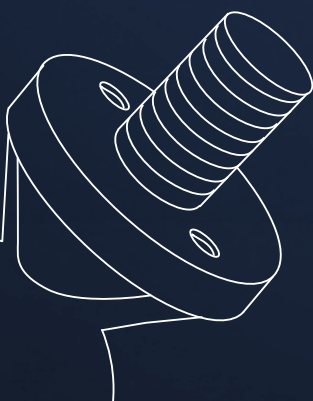
The max. load (at the
height of the
threaded pin) is
approx. 45 kg for a
ball diameter of 40
mm and approx. 140
kg for a ball diameter
of 60 mm.



Ø 40 mm Ø 60 mm



Mounting surface on
ball stud Ø 36 mm with 2 ×
M5 internal thread as anti-
rotation device of the
screw-on plates



The thread is
available as a ball
connection with
external and internal
thread, in the sizes
UNC 1/4 inch, M6,
M8 and M12.
Counter surface on
the neck of the spigot
SW22



PRO HOLDER

Holds anywhere: Clamp on, screw on or with magnets

The clamping foot is suitable for tables with maximum countertop thickness of 80 mm.

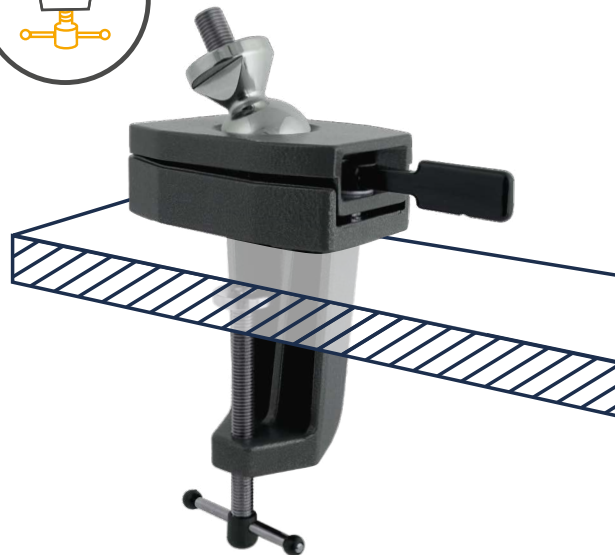
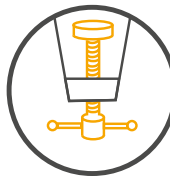
Ø 40 mm

suitable for straight table edges
Support surface: 110 × 72 mm



Ø 60 mm

suitable for straight table edges
and corners
Support surface: 152 × 151 mm



The screw-on foot with 4 through holes each is available for the sphere with the diameter 40mm as a narrow and wide version.

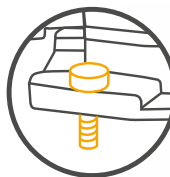
Ø 40 mm

Support surface:
Narrow 110 × 72 mm
Wide 150 × 106 mm



Ø 60 mm

Support surface:
152 × 151 mm



The magnetic base has 4 neodymium high-performance magnets with protective cap, holding power without cap: horizontal 32 kg, vertical 15 kg, magnets are firmly connected to the housing by screws.

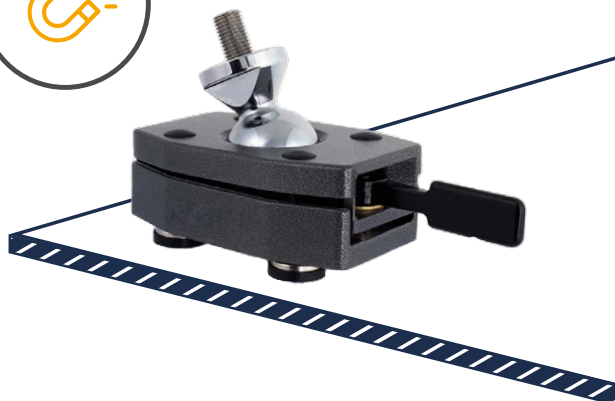
Ø 40 mm

Support surface: 110 × 72 mm



Ø 60 mm

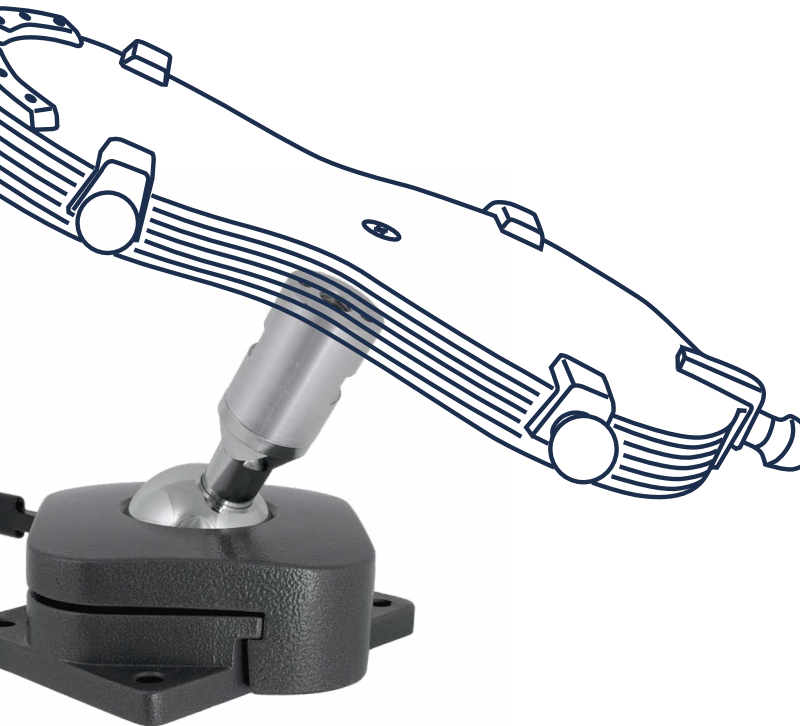
Support surface: 152 × 151 mm



PRO HOLDER

**The indispensable helper:
In the laboratory, in the
workshop or in the hobby cellar**

In woodworking, the PRO HOLDER is used as a holder for a carving plate (carving ball). Various clamping and holding tools can be screwed on, whether in professional instrument making or in the hobby workshop (e.g. for model making).



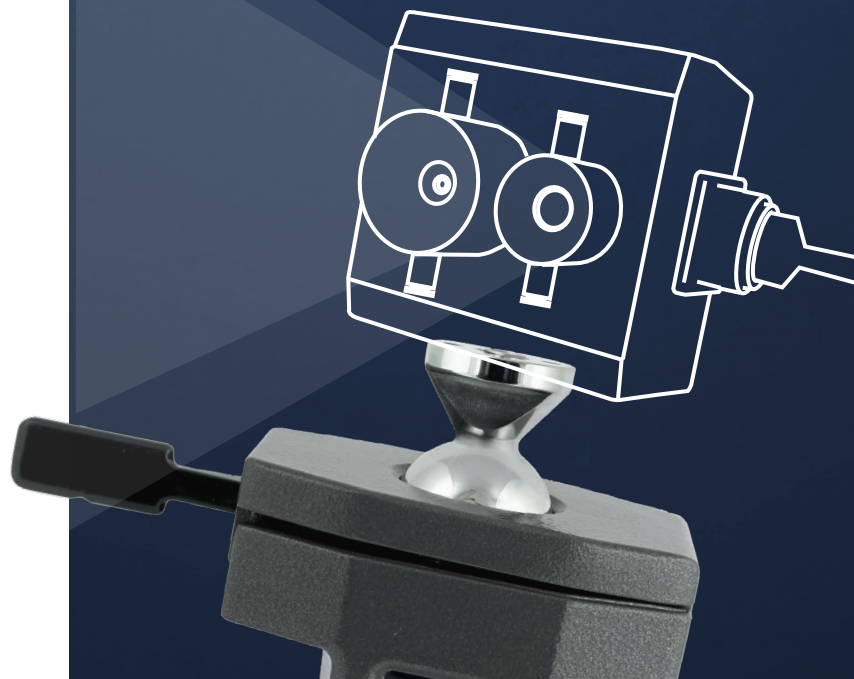
It has been valued in laboratories, universities and research centers for many years and has a wide range of possible uses.

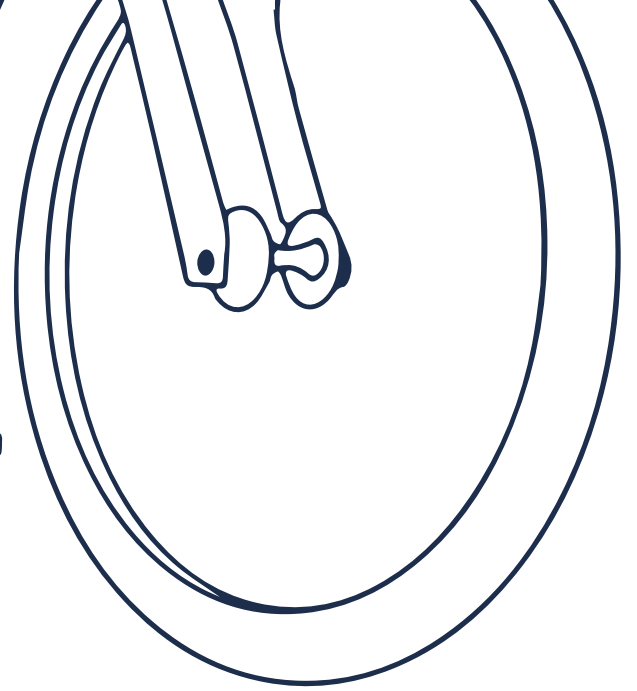


**APPLICATION
VIDEO**



Perfect holding device for cameras, monitors, sensors or measuring devices and much more. All devices can be screwed on and ideally aligned via the thread on the ball. E-scooters, e-bikes or common bicycles can be repaired and held while they are free-floating.





Application areas

- Suspension for presentation or repair
- Bicycle, e-bike, e-scooter
- Cameras, speakers, audio equipment
- Fire alarms, sensors, measuring devices
- Inspection Station or test Station
- Instrument making, violin and guitar making
- Carving Plate, carving Ball, woodworking
- Model making, hobbyists and Do-it-yourselfer
- universal clamping and holding device



**SCAN FOR
MORE INFO**





ENGINEERED AND MANUFACTURED
BY BERNSTEIN IN GERMANY

BERNSTEIN
Werkzeugfabrik Steinrücke GmbH

Industriehof Trecknase 1
42897 Remscheid

Phone + 49 (0) 2191 - 9650 - 0
Fax + 49 (0) 2191 - 9650 - 30

sales@bernstein-tools.de
www.bernstein-tools.de
www.bernstein-proholder.de/en